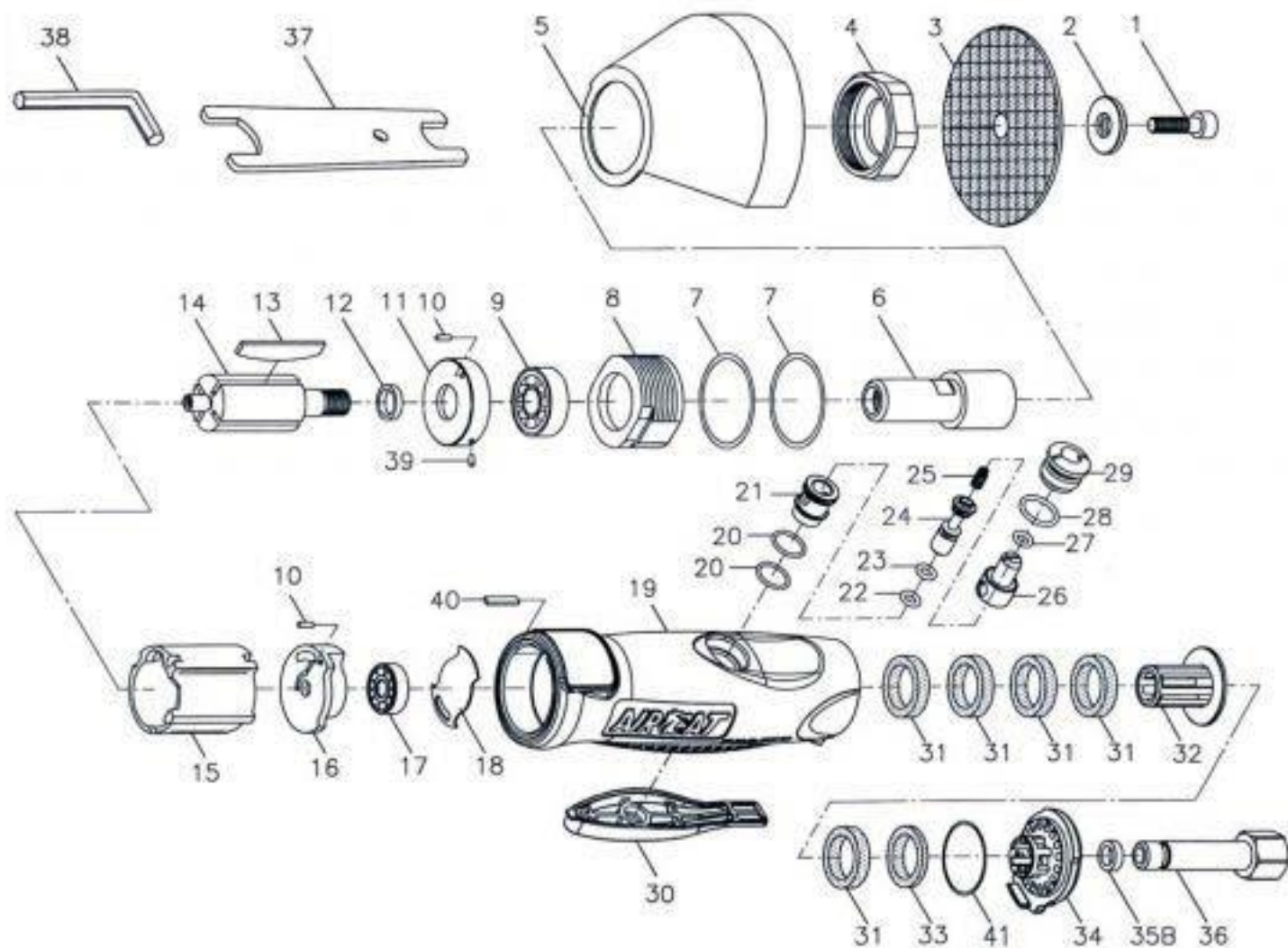


CUT-OFF TOOL



Index No.	Part No.	Description	Q'ty	Index No.	Part No.	Description	Q'ty
1	00-0123	Cap Screw	1	22	00-41133	O-Ring	1
2	530-003	Washer	1	23	00-41132	O-Ring	1
3	530-005	Cutting Wheel	1	24	218F-027	Valve Stem	1
4	530-002	Nut	1	25	218F-029	Spring	1
5	530-004	Protecting Cover	1	26	551F-038	Regulator	1
6	530-001	Shaft	1	27	00-4102	O-Ring	1
7	00-4135	O-Ring	2	28	00-41134	O-Ring	1
8	511-005	Clamp Nut	1	29	551F-030	Valve Plug	1
9	00-2314	Ball Bearing	1	30	218F-043	Throttle Lever	1
10	00-3325	Spring Pin	2	31	218F-038	Muffler	5
11	511-019	Front End Plate	1	32	218F-039	Muffler Tube	1
12	511-006	Spacer	1	33	218F-047	Muffler	1
13	216-021	Rotor Blade	4	34	218F-042	Exhaust Deflector	1
14	511-020-B	Rotor	1	35B	218F-050	Bushing	1
15	511-022	Cylinder	1	36	218F-034C	Air Inlet (1/4"NPT)	1
16	218F-023	Rear End Plate	1	37	511-007	Double Ended Wrench	1
17	00-2323	Ball Bearing	1	38	00-3906	Hex. Wrench	1
18	218F-045	Rear Gasket	1	39	00-3328	Spring Pin	1
19	218F-025	Motor Housing	1	40	216-037	Seal Lump	1
20	00-41121	O-Ring	2	41	00-4159	O-Ring	1
21	218F-026	Bushing	1				