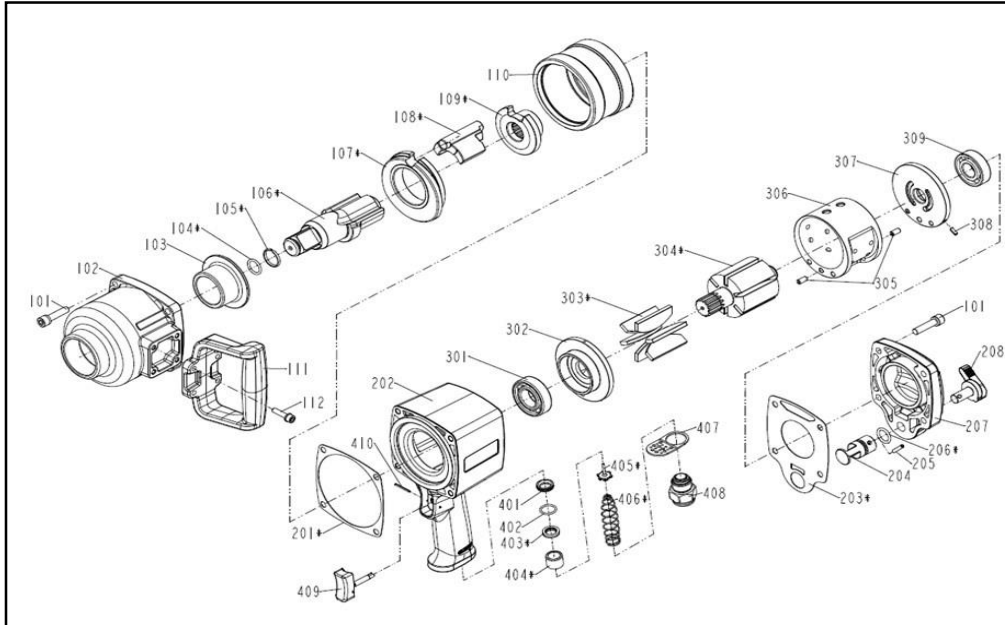




1" Pistol Impact Wrench
Model #1880P



| ITEM | AIRCAT® Part # | Description | ITEM | AIRCAT® Part # | Description |
|------|----------------|----------------------|------|----------------|--------------------|
| 101 | BP1880P101 | BOLT ASSY | 301 | BP1880P301 | BEARING |
| 102 | BP1880P102 | HAMMER CASE | 302 | BP1880P302 | FRONT END PLATE |
| 103 | BP1880P103 | HAMMER CASE BUSHING | 303 | BP1880P303 | BLADE |
| 104 | BP1880P104 | O - RING | 304 | BP1880P304 | ROTOR |
| 105 | BP1880P105 | SOCKET RETAINER | 305 | BP1880P305 | SPRING PIN |
| 106 | BP1880P106 | ANVIL | 306 | BP1880P306 | CYLINDER |
| 107 | BP1880P107 | WASHER | 307 | BP1880P307 | REAR BEARING PLATE |
| 108 | BP1880P108 | HAMMER | 308 | BP1880P308 | SPRING PIN |
| 109 | BP1880P109 | HAMMER CAM | 309 | BP1880P309 | BEARING |
| 110 | BP1880P110 | HAMMER FRAME | 401 | BP1880P401 | INSERT BUSHING |
| 111 | BP1880P111 | HANDLE | 402 | BP1880P402 | O - RING |
| 201 | BP1880P201 | PACKING-HAMMER CASE | 403 | BP1880P403 | SEAL UNIT |
| 202 | BP1880P202 | HOUSING | 404 | BP1880P404 | BUSHING |
| 203 | BP1880P203 | PACKING-HAMMER CASE | 405 | BP1880P405 | TIP VALVE |
| 204 | BP1880P204 | SPRING A | 406 | BP1880P406 | SPRING |
| 205 | BP1880P205 | SPRING PIN | 407 | BP1880P407 | DEFLECTOR |
| 206 | BP1880P206 | O - RING | 408 | BP1880P408 | AIR INLET |
| 207 | BP1880P207 | REAR COVER | 409 | BP1880P409 | TRIGGER UNIT |
| 208 | BP1880P208 | REVERSE VALVE B UNIT | 410 | BP1880P410 | SPRING PIN |